



ROTARY TABLET PRESS - Single Sided GMP Model



Key Features

Adept Single Rotary Tablet Presses are particularly compact and rugged. Some of the key features are:



Centre Drive

This eliminates the gear on turret and the gear box in compression zone reducing downtime and maintenance

Pre-Compression

Pre-compression improves tablet friability and minimizes capping problem



Force Feeder [Optional]

The Force Feeder is synchronized with the turret, this minimizes weight variation at high speeds. Its simple design also reduces downtime and requires minimum maintenance.



Auto Lubrication

It ensures right quantity of oil to the required lubrication points at regular interval.



Front Control

Pressure and weight controls are on the panel



AC Speed Variator

This offers a soft start option and a speed range of 5 to 50 RPM.

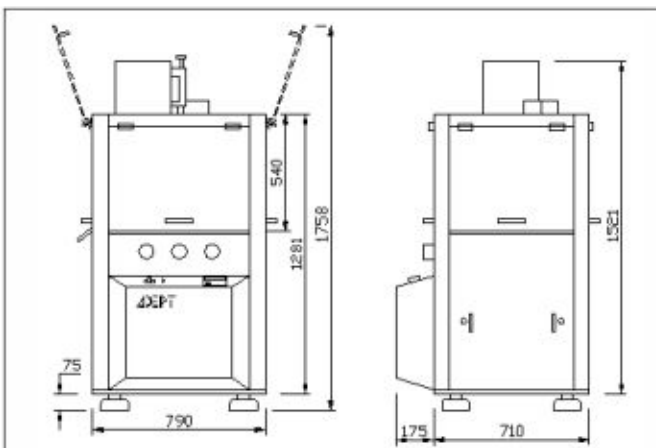
Other Standard Features

- Lower Punch Rubber Seals
- Upper Punch Penetration Selection

Technical Details

MODEL	STATIONS	MAX. PRESSURE IN TONS	ROUND TABLET MAX. DIA	CAPLET MAX LENGTH	PUNCH			DIE			MOTOR		TABLET OUTPUT PER HOUR	
					TYPE	DIA	HEIGHT	TYPE	DIA	HEIGHT	HP	RPM	MIN	MAX
ASR D-D-16	16	10.0	25.0	25	D	25.40	133.6	D	38.10	23.81	5	1500	4800	48000
ASR D-D-20	20	10.0	25.0	25	D	25.40	133.6	D	38.10	23.81	5	1500	6000	60000
ASR D-B-23	23	10.0	19.0	21	D	25.40	133.6	B	30.16	22.22	5	1500	6900	69000
ASR D-B-26	26	10.0	19.0	NA	D	25.40	133.6	B	30.16	22.22	5	1500	7800	78000
ASR B-B-26	26	6.5	18.5	19	B	19.05	133.6	B	30.16	22.22	5	1500	7800	78000
ASR B-BB-32	32	6.5	13.0	16	B	19.05	133.6	BB	24.00	22.22	5	1500	9600	96000

* R&D Press can also be offered with combination of D, B & BB tooling. Specification may change without prior notice.



Max fill depth	- 21mm
Upper punch entry	- 1.5 to 8mm
Hopper capacity	- 15 liters
Net weight	- 1000 kg
Gross weight	- 1250 kg
Overall dimensions	- 88cm x 84cm x 162cm
Case dimensions	- 115cm x 115cm x 150cm
	- 35cm x 35 cm x 115 cm

*Specifications subject to change without notice

Imperial Pharmachines Pvt. Ltd.

136, Shivkrupa Industrial Estate, L.B.S. Marg, Vikhroli (W), Mumbai - 400 083, India

Tel.: 91-22-2578 1989 / 2577 0554 • Fax: 91-22-2578 0000

E-mail: sales1@pharmachine.in • Web: www.pharmachine.in